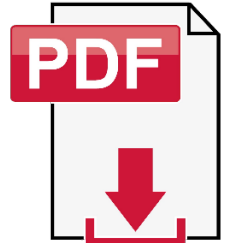


EASY ORDER FORM FOR SHEETER HEAD ROLLERS

Tortillaworlds **EASY ORDER FORM** makes ordering a new/and or replacement corn tortilla oven **sheeter head rollers** convenient and easy saving you up to **50%** off the price of a brand name manufacturer simply by measuring the **rollers** yourself or shipping one to us, receiving the same quality, durability and warranty as you expect from a name brand manufacturer. Thank you for your loyalty and trust in our brands. We appreciate your business and support. We're excited to continue working together and providing you with quality products, ingredients, lubricants, parts, services and equipment you expect

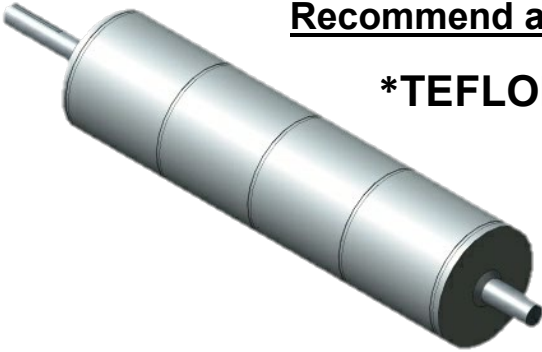
***Print clearly so words and numbers are legible**

1. Answer questions A thru I filling in all dimensions
2. Complete Company name, address and general information form below
3. Print, sign, date and return to Tortillaworld, Inc. at ezorder@tortillaworld.com
4. 50% down payment required
5. Balance plus cost of skidding, crating & shipping fees due before shipping



Recommend a digital caliper for accurate measurements

***TEFLON COATED ROLLERS AVAILABLE**



Company name: _____

Address: _____ City: _____

Zip code: _____ Country: _____

Contact email: _____ Contact # _____

Ext # _____ Print name: _____

Sign here _____ Date: _____

Oven brand: _____ Year built: _____

Outer diameter sheeter head rollers size: _____ Examples: 4.5", 6.5" or 8.5"

Mark with an X on your size rollers: 1 row: _____ 2 row: _____ 4 row: _____ 6 row: _____

O.D. shaft size = _____

curved roller: _____ Yes/No

straight roller: _____ Yes/No

teflon coated: _____ Yes/No



MOBILE
PAYMENT



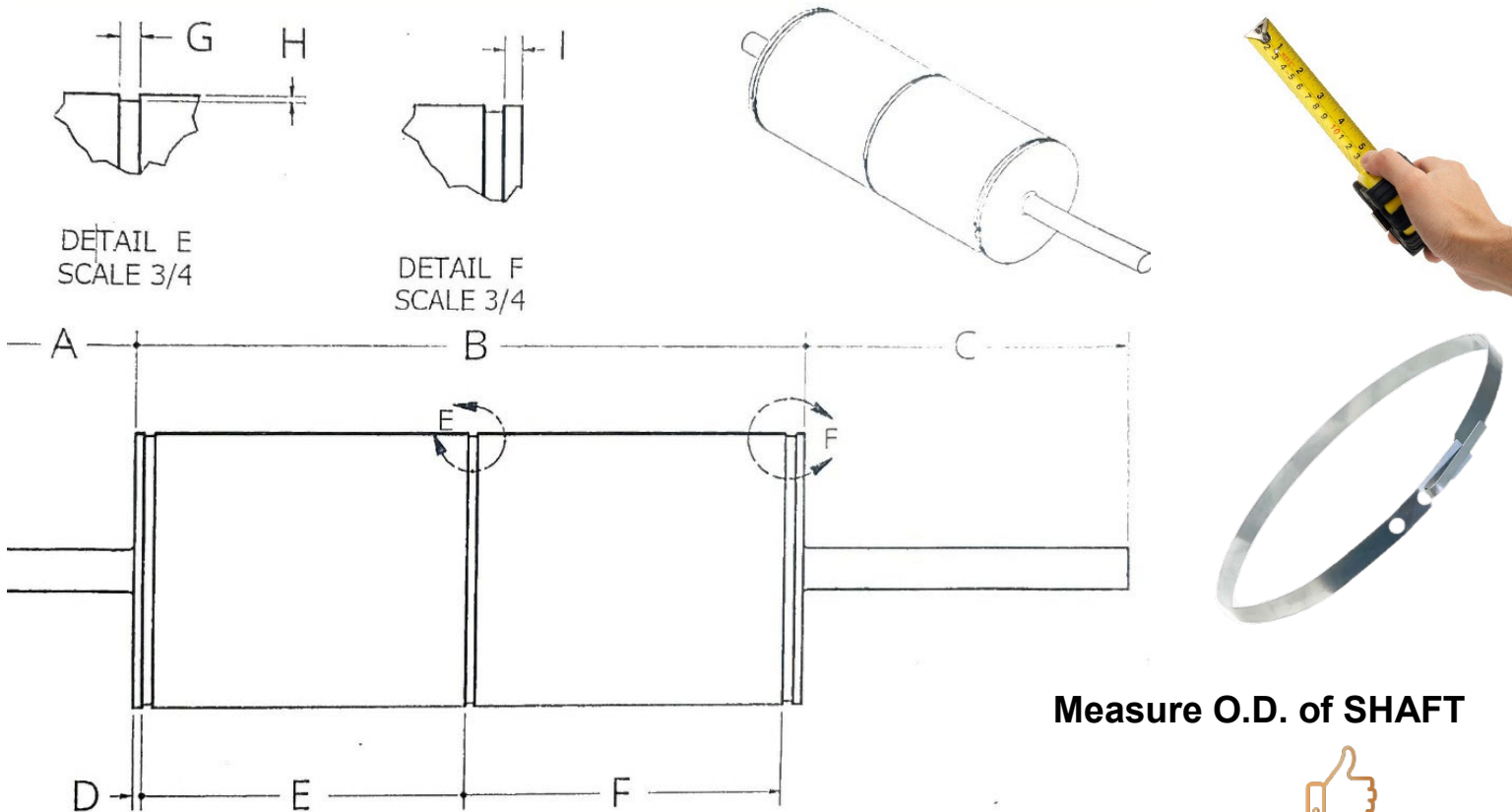
EASY ORDER FORM FOR SHEETER HEAD ROLLERS

IMPORTANT

HOW TO CHECK IF YOUR ROLLERS ARE STRAIGHT OR CURVED?

If you don't know? You can check by placing a standard ruler flush sideways in the middle of your front & back rollers and then turn on flashlight so the light can be seen from the front of the ruler, if you see any light thru the bottom of the roller, you have curved rollers, No light coming thru means they are straight

FILL OUT DIMENSIONS BELOW USING IMAGE BELOW AS A REFERENCE



FRONT ROLLER MEASUREMENTS



A= _____ B= _____ C= _____ D= _____ E= _____ F= _____ G= _____ H= _____ I= _____

FRONT ROLLER MEASUREMENTS

A= _____ B= _____ C= _____ D= _____ E= _____ F= _____ G= _____ H= _____ I= _____